

# *Manual*

# **LOGO 200**



**Mikado**  
*Model Helicopters*

---

# Index

|                                                              |       |
|--------------------------------------------------------------|-------|
| Safety Instructions/ Tools for Assembly & RC Equipment ..... | 2-3   |
| Main Frame - Motor Mounting / Top Bearing Block .....        | 4     |
| Main Frame - Top Frame Assembly .....                        | 5     |
| Main Frame - Lower Frame Assembly .....                      | 5     |
| Main Frame - Lower Frame Mounting .....                      | 6     |
| Main Frame - Landing Gear Mounting .....                     | 7     |
| Rotor Head - Bearing Installation .....                      | 8     |
| Rotor Head - Assembly .....                                  | 8     |
| Rotor Head - Pitch Linkns / Mounting .....                   | 9     |
| Tail Motor Mounting .....                                    | 10    |
| Tail Boom Mounting .....                                     | 10    |
| Servo Mouting .....                                          | 11    |
| Servo Linkaging .....                                        | 12    |
| Vbar NEO mini - Wiring Diagram / Mounting .....              | 12    |
| Main Blade Mounting .....                                    | 13    |
| Tail Blade Mounting .....                                    | 13    |
| Battery Mounting .....                                       | 14    |
| Canopy Mounting .....                                        | 15    |
| Model Overview .....                                         | 16-18 |

## Introduction

Thank you very much for your purchase of the Mikado LOGO 200. Prior to repairs, please read and understand this manual completely and follow all instructions exactly. If any instructions are not clear to you or if you have any questions, please contact us. You can reach Mikado on the LOGO-Forum on [www.vstabi.info](http://www.vstabi.info) or contact the Mikado support hotline via email or phone. Do not under any circumstances fly this helicopter if you are unsure of setup or assembly.

While this helicopter is great for beginners, it is still a high performance, dangerous and complex machine. It is expected that you have some experience in assembling and operating an RC helicopters. You are required to adhere to the safety instructions of this manual.

You must secure and check all screws in all components yourself. In addition, it is necessary that you secure all other screwed connection, by which you will assemble the different components of the LOGO 200. We recommended to use securing glue Loctite 243 (blue).

Please follow the recommendations of the Loctite manufacture and allow proper curing time for the Loctite prior to flying the model.

## Safety Instructions

RC Helicopters are not toys and must be treated with due diligence. If you do not use this helicopter responsibly it can cause severe injury and immense damage. Inappropriate use of this product can result in injury or death. Each user must have the appropriate knowledge and skill to operate any RC Helicopter.

Manufacturer / reseller assumes no liability for the use or operation of this helicopter. You are responsible for any injury and damage that may be caused by this helicopter. It is recommended that your radio components be tested prior to installing in this helicopter. Improper radio installation or inadequate battery voltage can result in the loss of control of the helicopter. Proper knowledge of your radio equipment is required prior to flying this helicopter. You must check if other persons are using an RC-controlled model or device simultaneously, as this may result in interference. If the helicopter behaves in an unusual or strange way, you must land it immediately and turn off the power. Please meticulously check all of your radio gear and find/fix the problem before you continue to operate the helicopter. This is to avoid any accidents. Since one irregularity can cause other defects or problem, if the problem is not fixed first, an increased risk of failure will ensue.

---

## Additional precautions for the prevention of injury or damage

Before you power on the helicopter, you must ensure that all screws and associated hardware are secured. Even just one single loose screw can cause the helicopter to become uncontrollable resulting in a crash or personnel injury. Also it is very important that you must check the model frequently and exchange any parts that show signs of deterioration or wear. Failure to complete frequent pre and post flight inspections will result in flying an unsafe model and increasing the risk of damaging the helicopter and possibly injuring yourself and/or others. Use only original Mikado parts and electronic components which are recommended by Mikado.

When programing the model or testing the radio system **ALWAY** remove the main and tail rotor blades as the model may spool up unintentionally.

Always keep a minimum of 10 yards away from a spinning rotor head. Components that run hot such as the ESC and Motor should never be touched until ample cool down time has been provided.

## Before powering on the helicopter

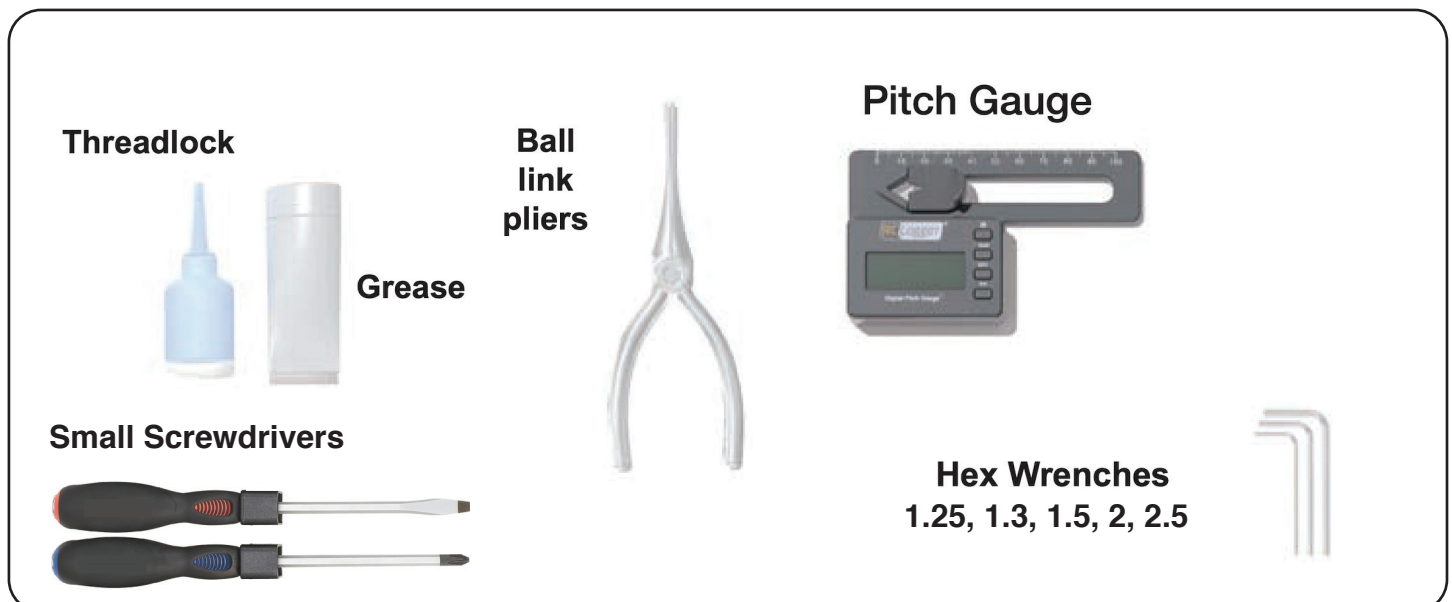
This helicopter is primarily intended for operation outside and may only be operated in sites where operation of Radio Control models is permitted. Operate the helicopter inside closed rooms at your own discretion. Keep the helicopter at safe distance to any persons or live animals at all times. If flying around other people, before take off, inform them you will be flying and ask them to pay attention to the model. When testing / tuning, keep a minimum distance of 10 yards for safety and never operate the helicopter alone. Always take someone with you, who can help in emergency situations.

The helicopter must also not be operated in the following circumstances:

- when children are present or in places where people are gathering
- close to houses or in park areas
- in adverse weather conditions, such as rain, snow, hail or during strong winds
- near trees or High Tension wires

Before the first flight, you must check proper functioning of the motor, the ESC and the VBar. For safety reasons, these tests should be performed without mounting the main rotor blades and the tail rotor blades. It is advisable to fly moderately during the first flights. This is because you need to get used to the new size of this helicopter during the first few flights. Do not underestimate the size and power of this helicopter. Keep a safe distance from the ground to provide for ample reaction time.

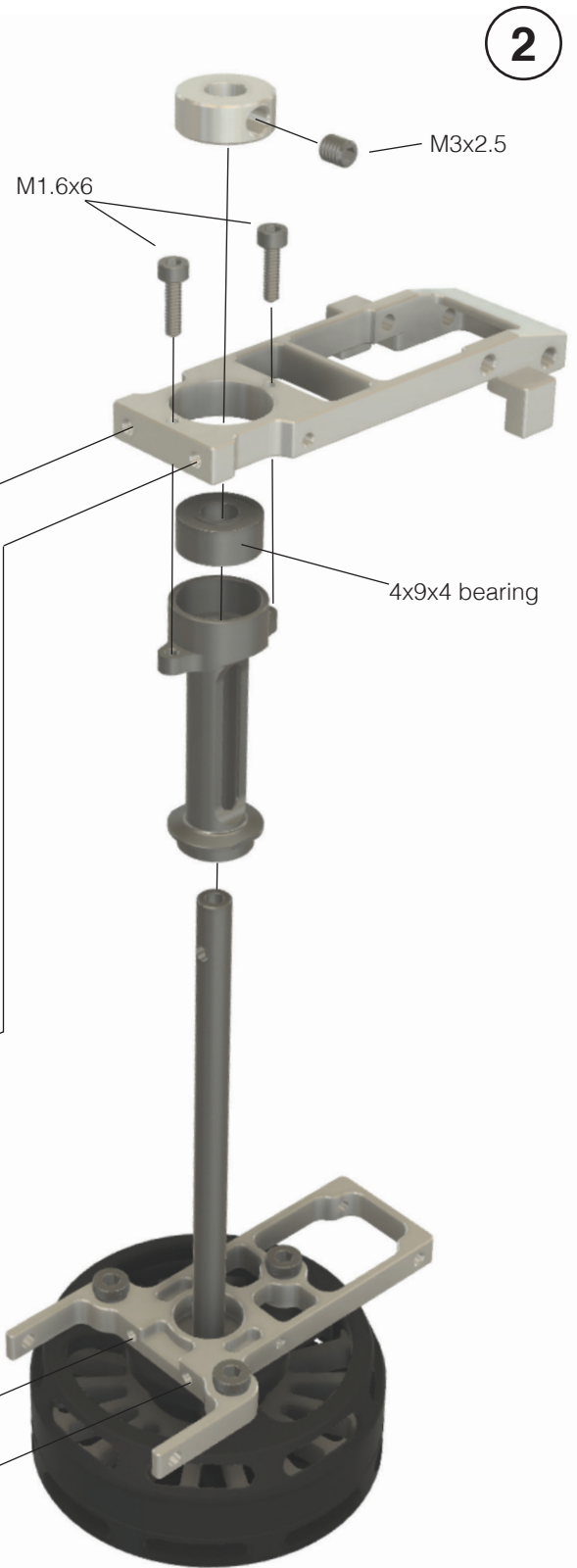
## Necessary Tools



# 1.1 Main Frame - Motor Mounting / Top Bearing Block

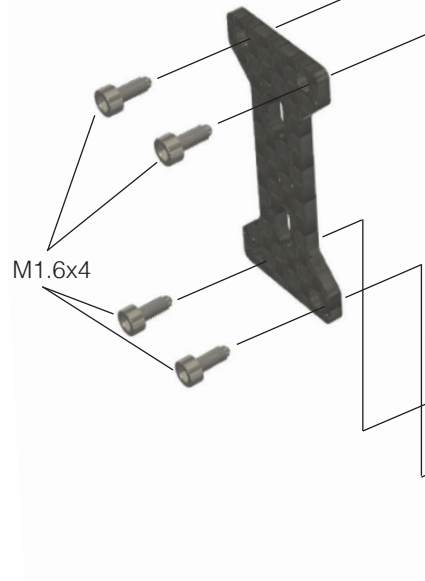


1

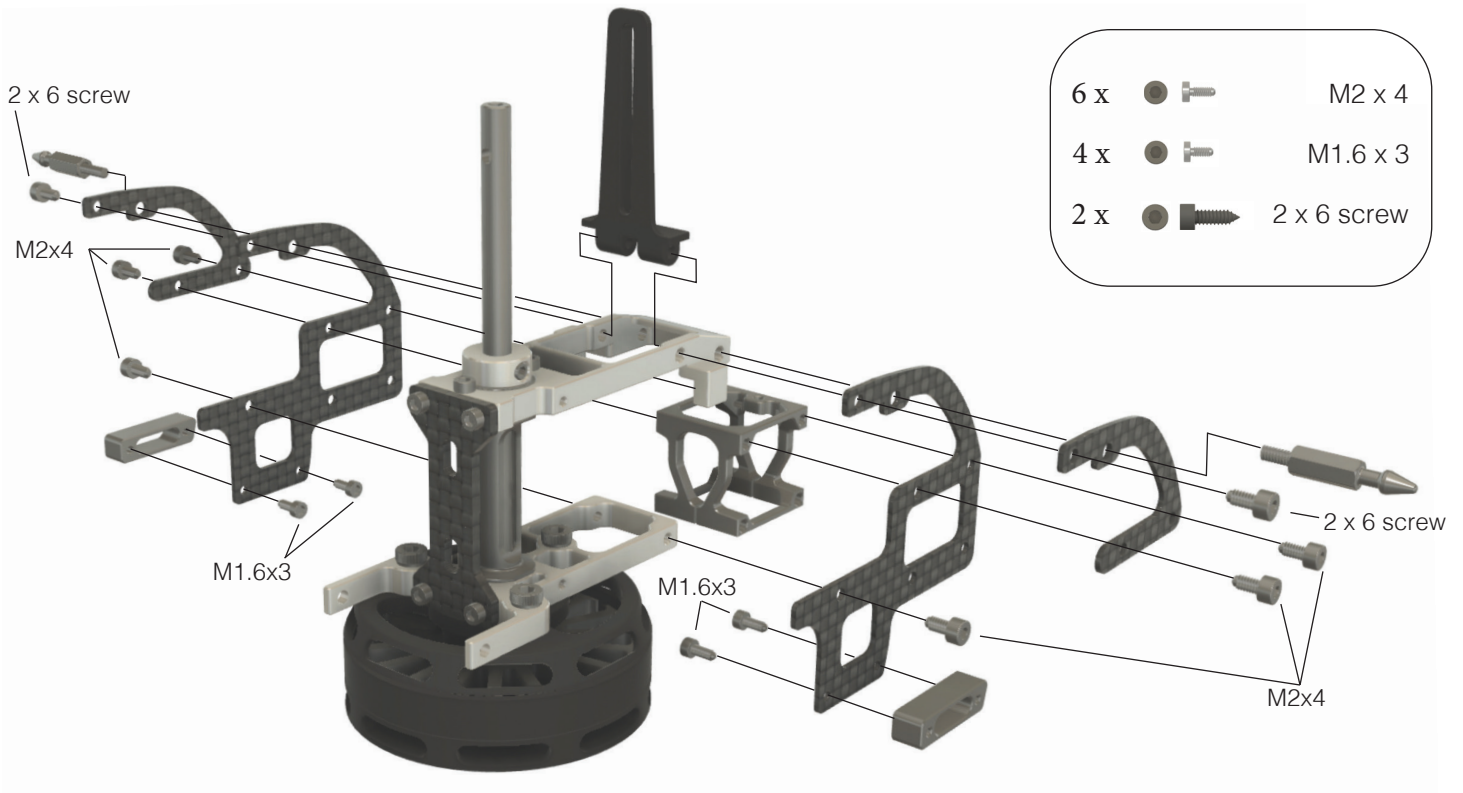


2

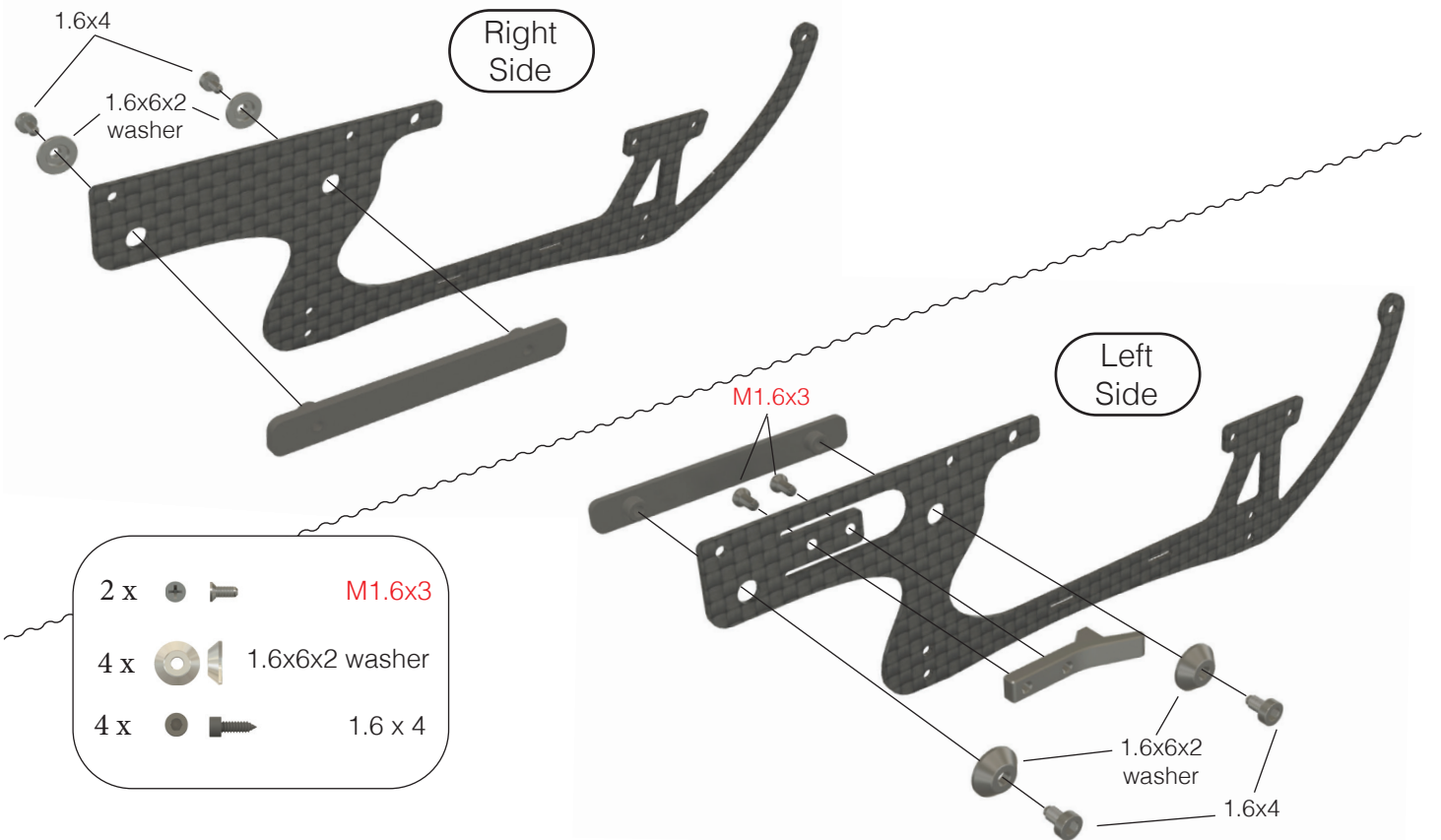
- |     |  |               |
|-----|--|---------------|
| 3 x |  | M2.5x7        |
| 2 x |  | M1.6 x 6      |
| 4 x |  | M1.6 x 4      |
| 1 x |  | M3x2.5        |
| 1 x |  | 4x9x4 bearing |



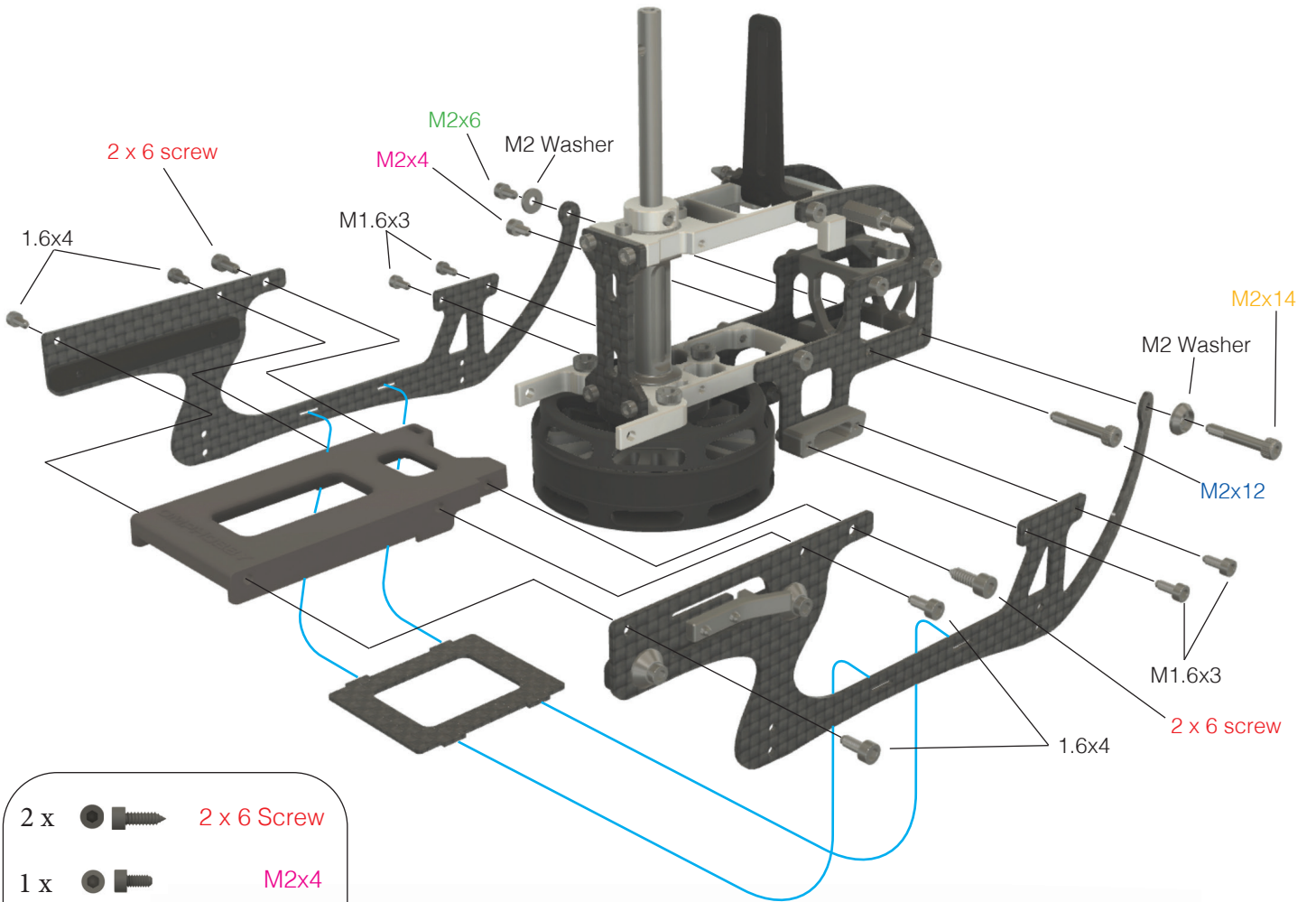
## 1.2 Main Frame - Top Frame Assembly



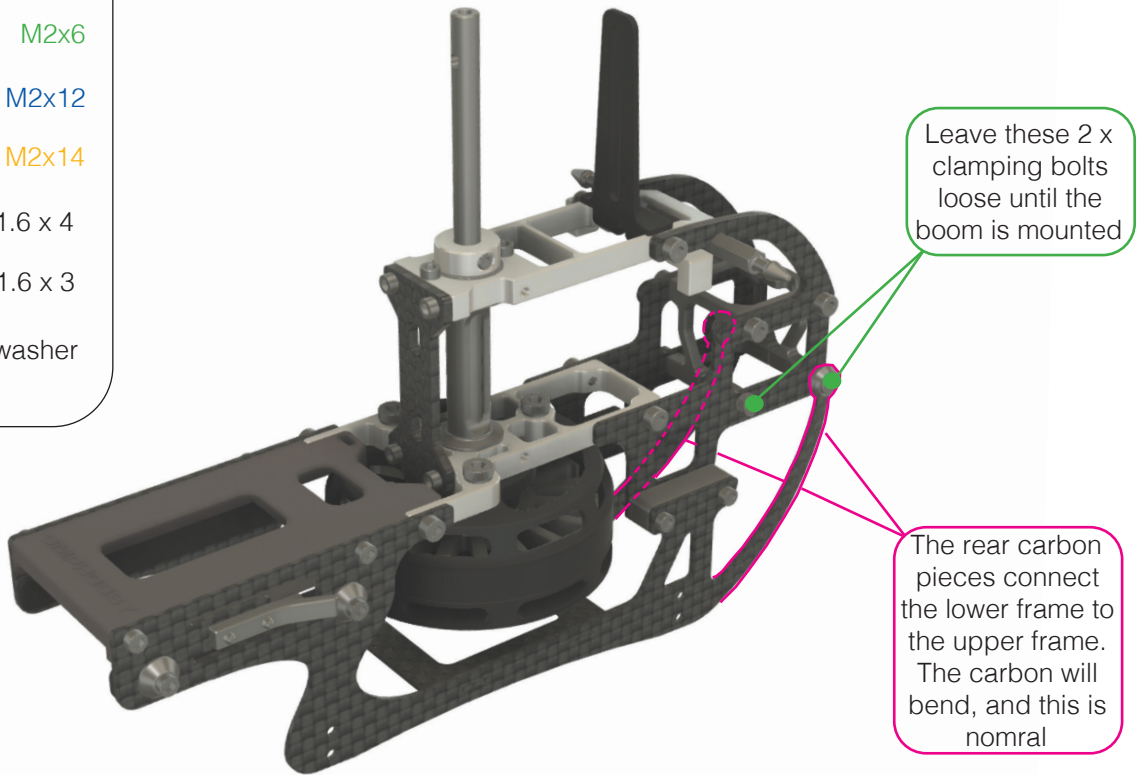
## 1.3 Main Frame - Lower Frame Assembly



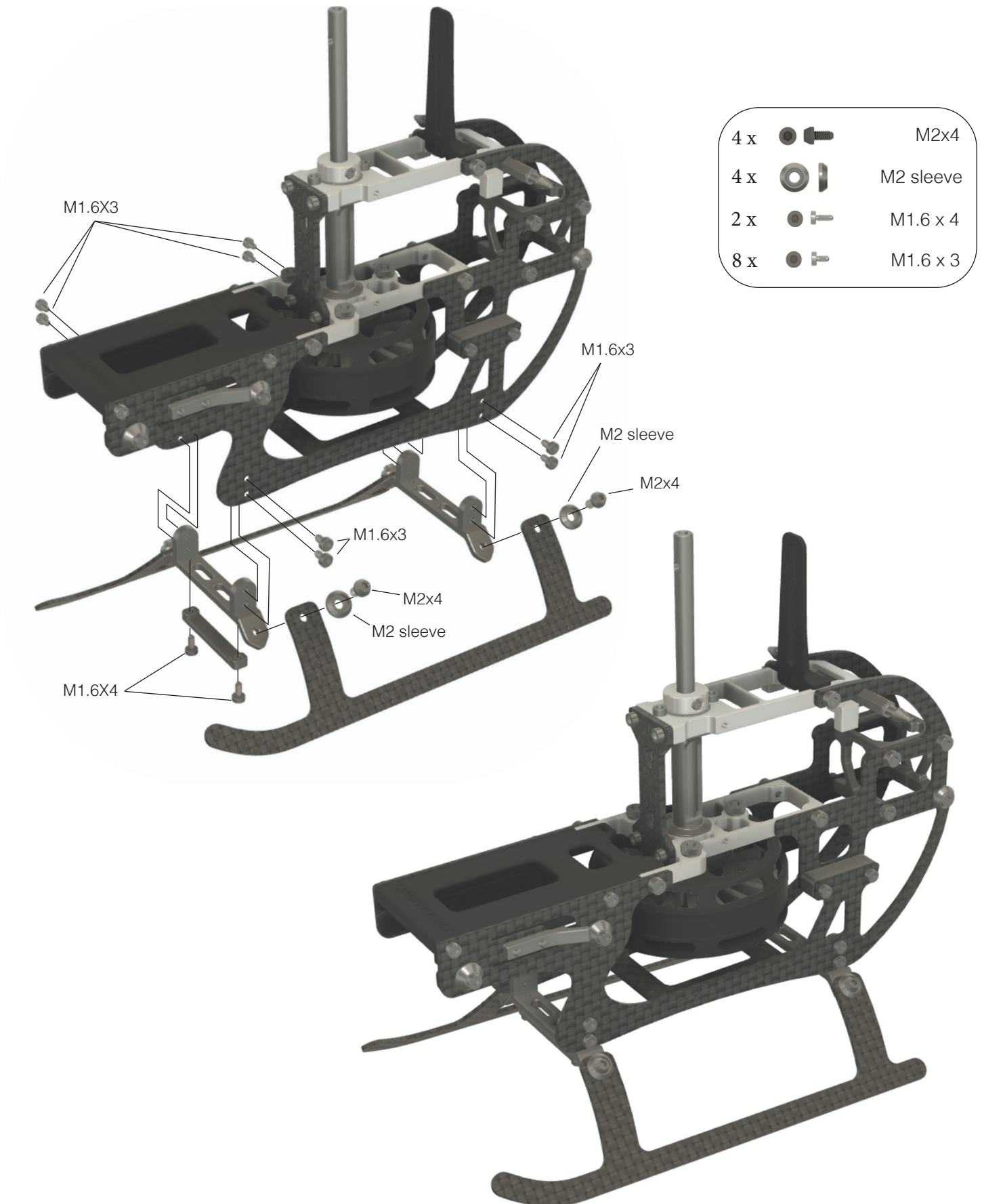
# 1.4 Main Frame - Lower Frame Mounting



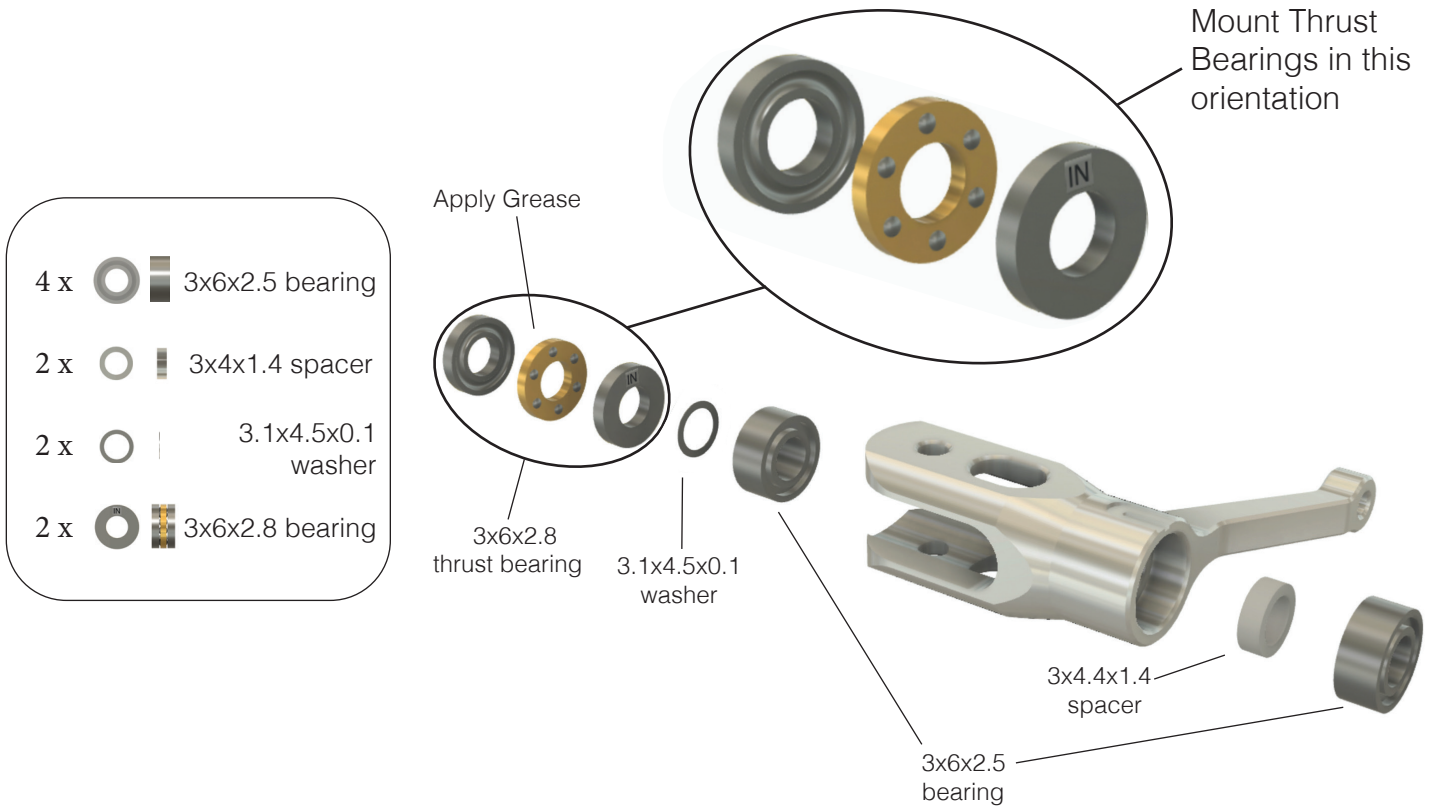
- |     |  |             |
|-----|--|-------------|
| 2 x |  | 2 x 6 Screw |
| 1 x |  | M2x4        |
| 1 x |  | M2x6        |
| 1 x |  | M2x12       |
| 1 x |  | M2x14       |
| 4 x |  | 1.6 x 4     |
| 4 x |  | M1.6 x 3    |
| 2 x |  | M2 washer   |



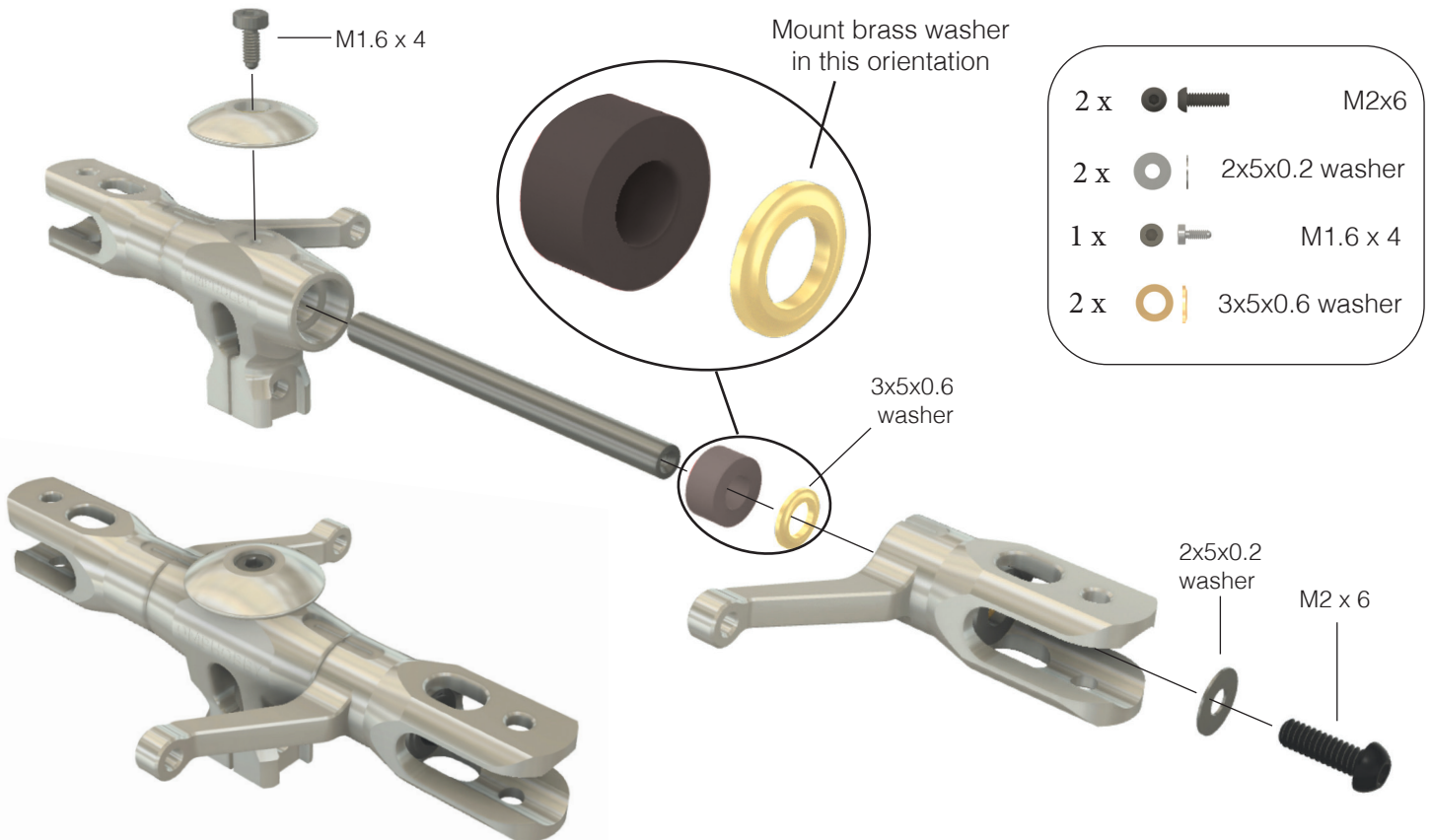
## 1.5 Main Frame - Landing Gear Mounting



## 2.1 Rotor Head - Bearing Installation

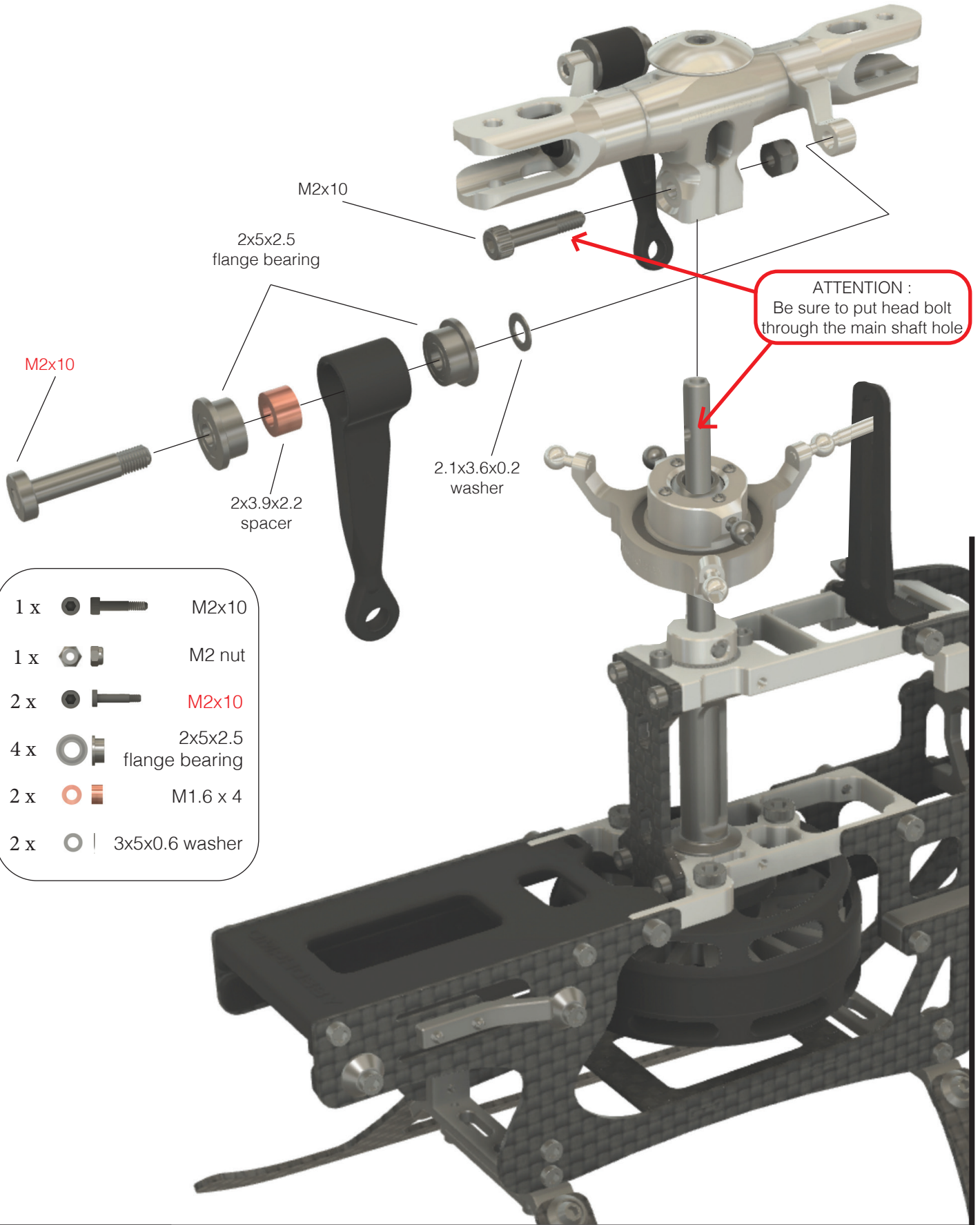


## 2.2 Rotor Head - Assembly

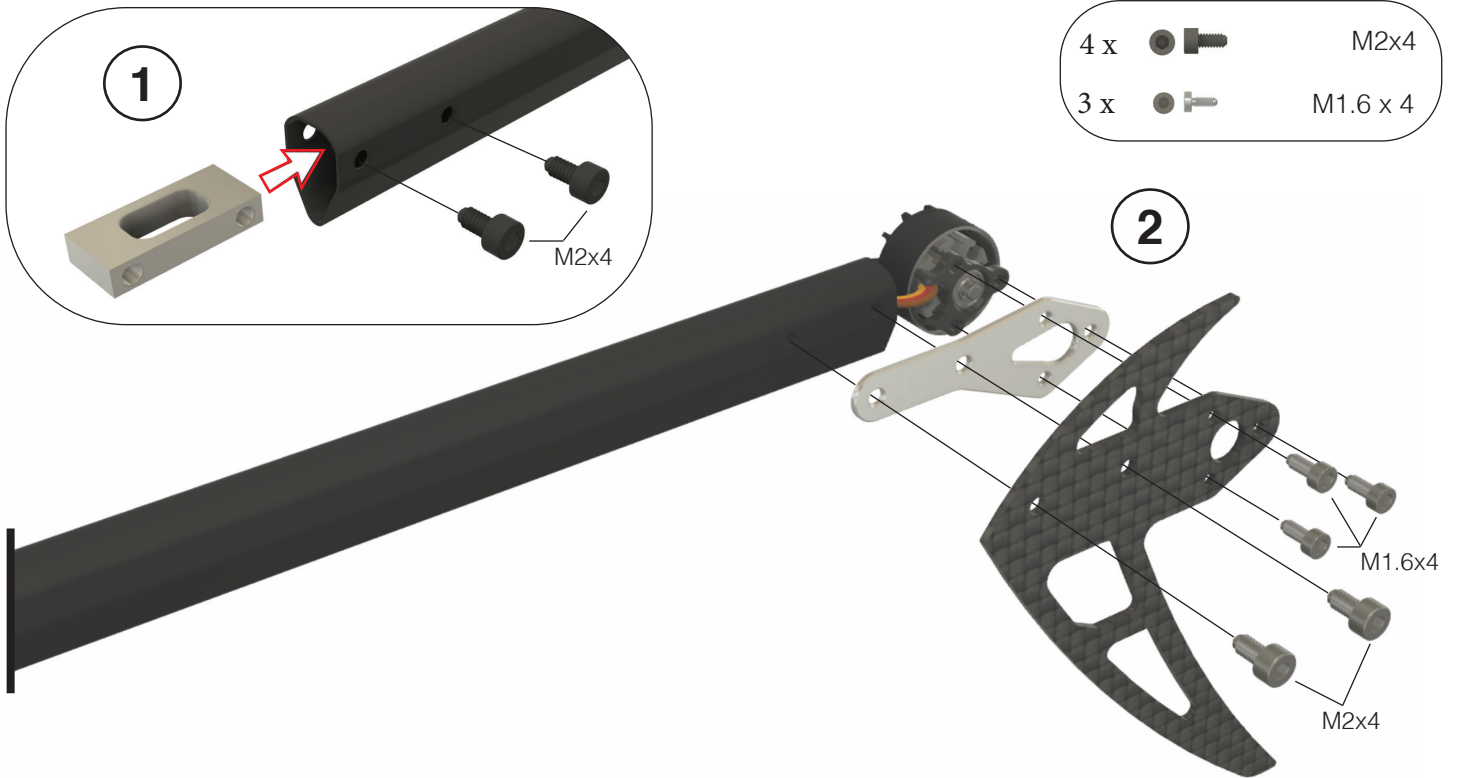




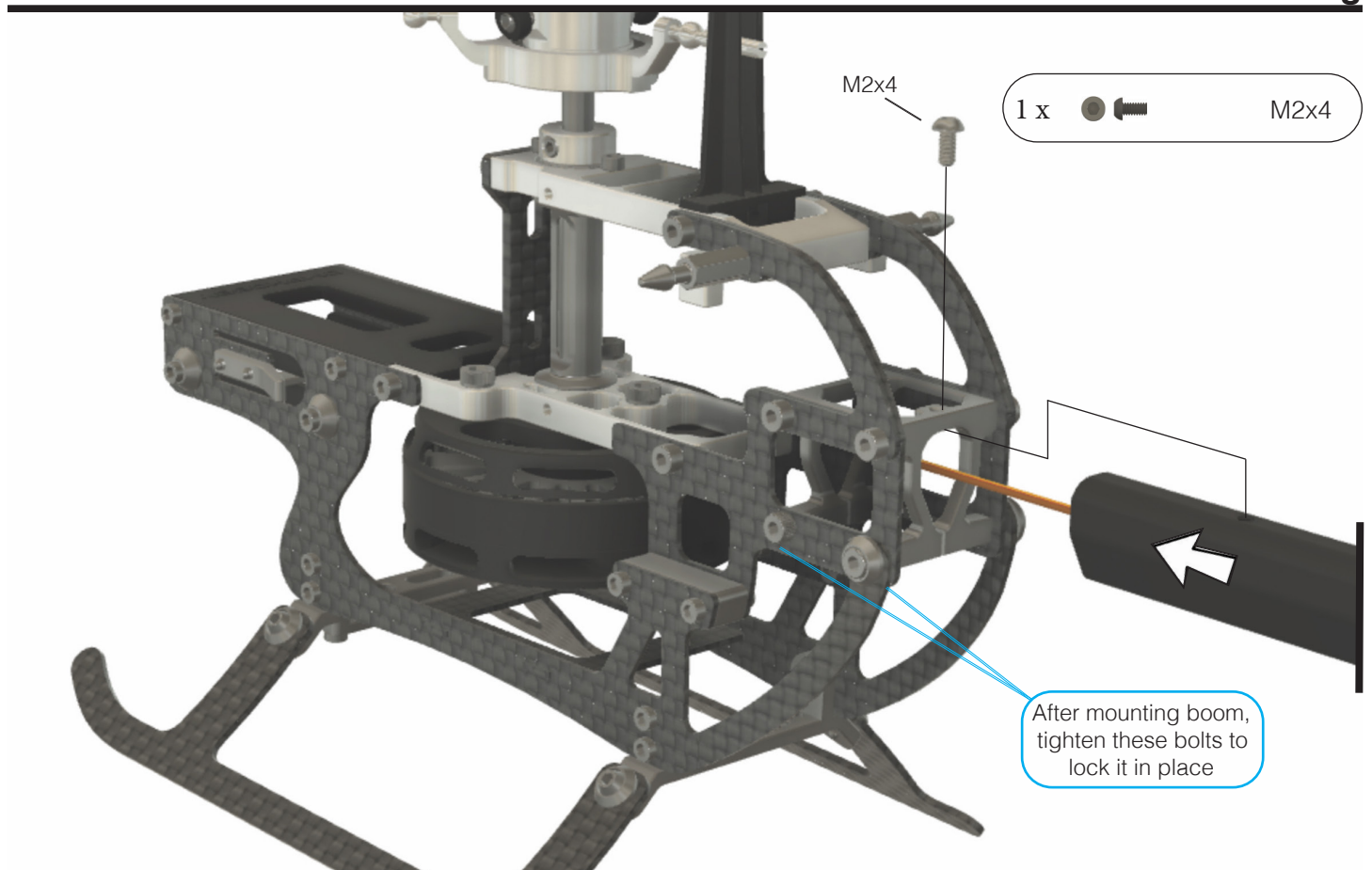
## 2.3 Rotor Head - Pitch Links / Mounting







### 3.1 Tail Motor Mounting

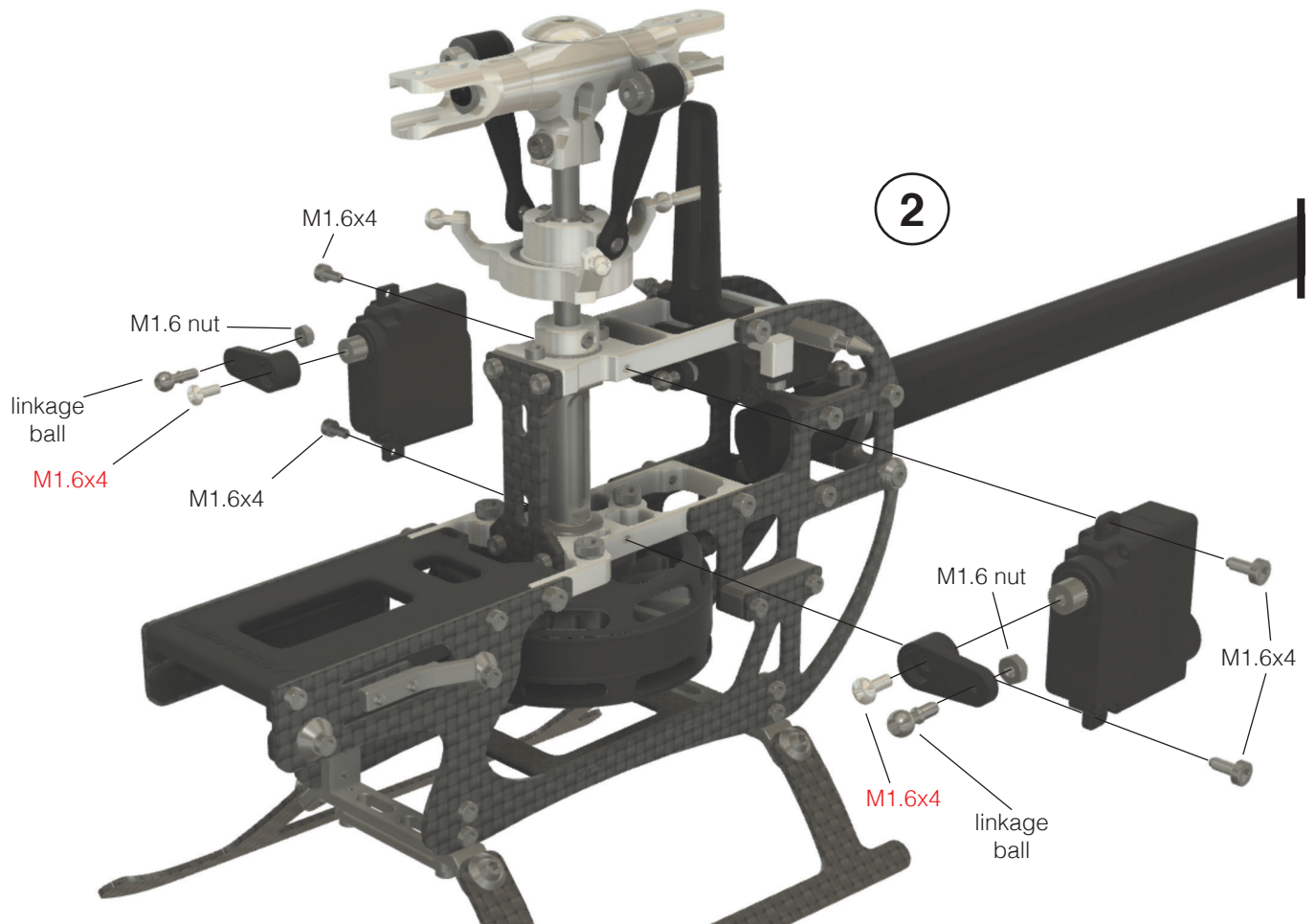
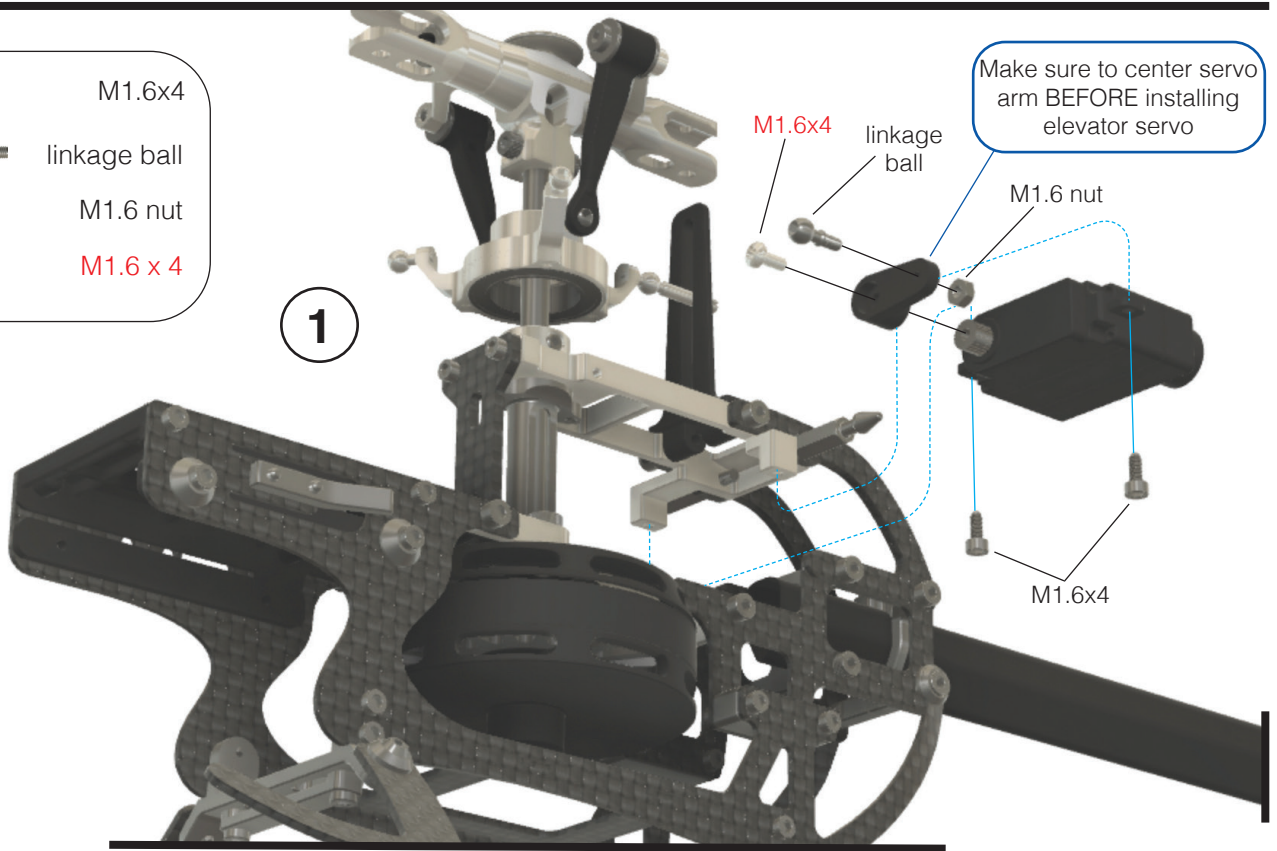


### 3.2 Tail Boom Mounting

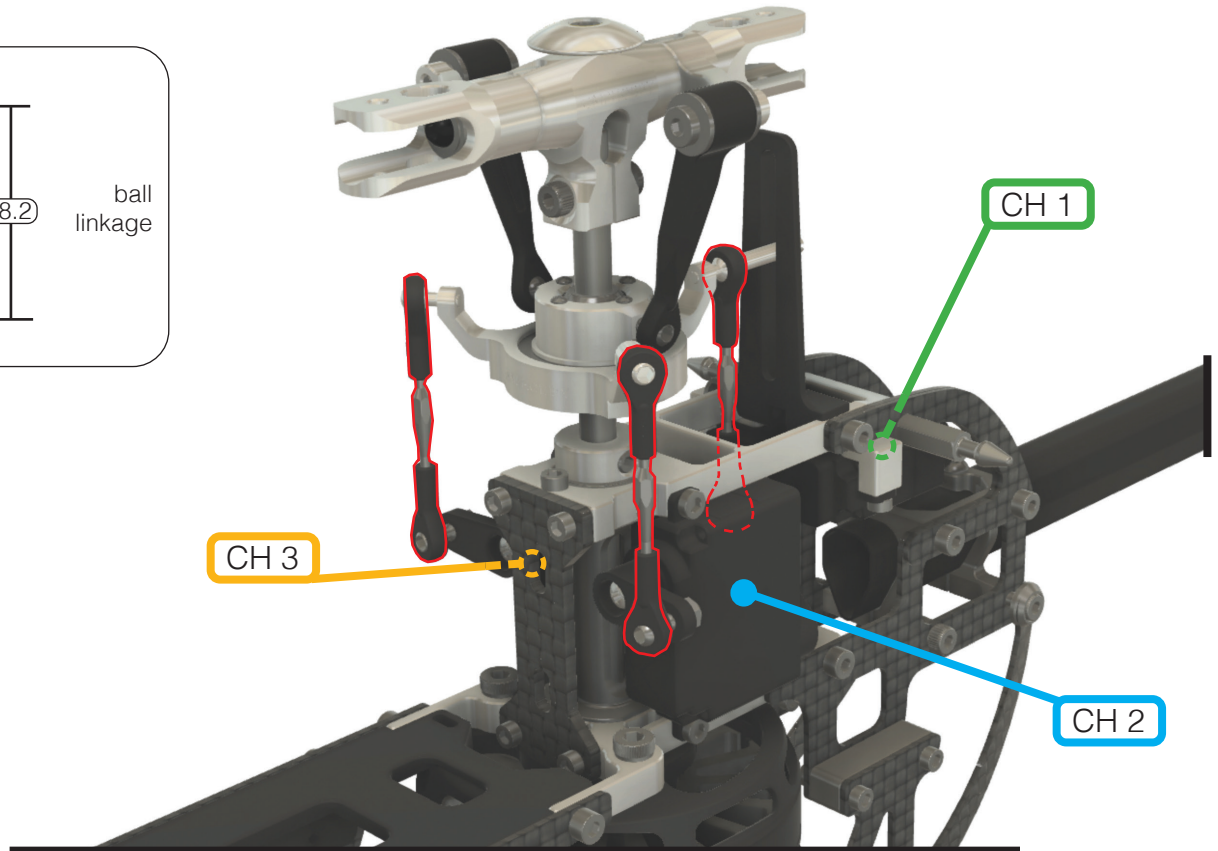
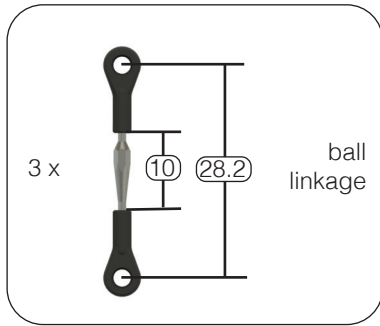


## 4.1 Servo Mounting

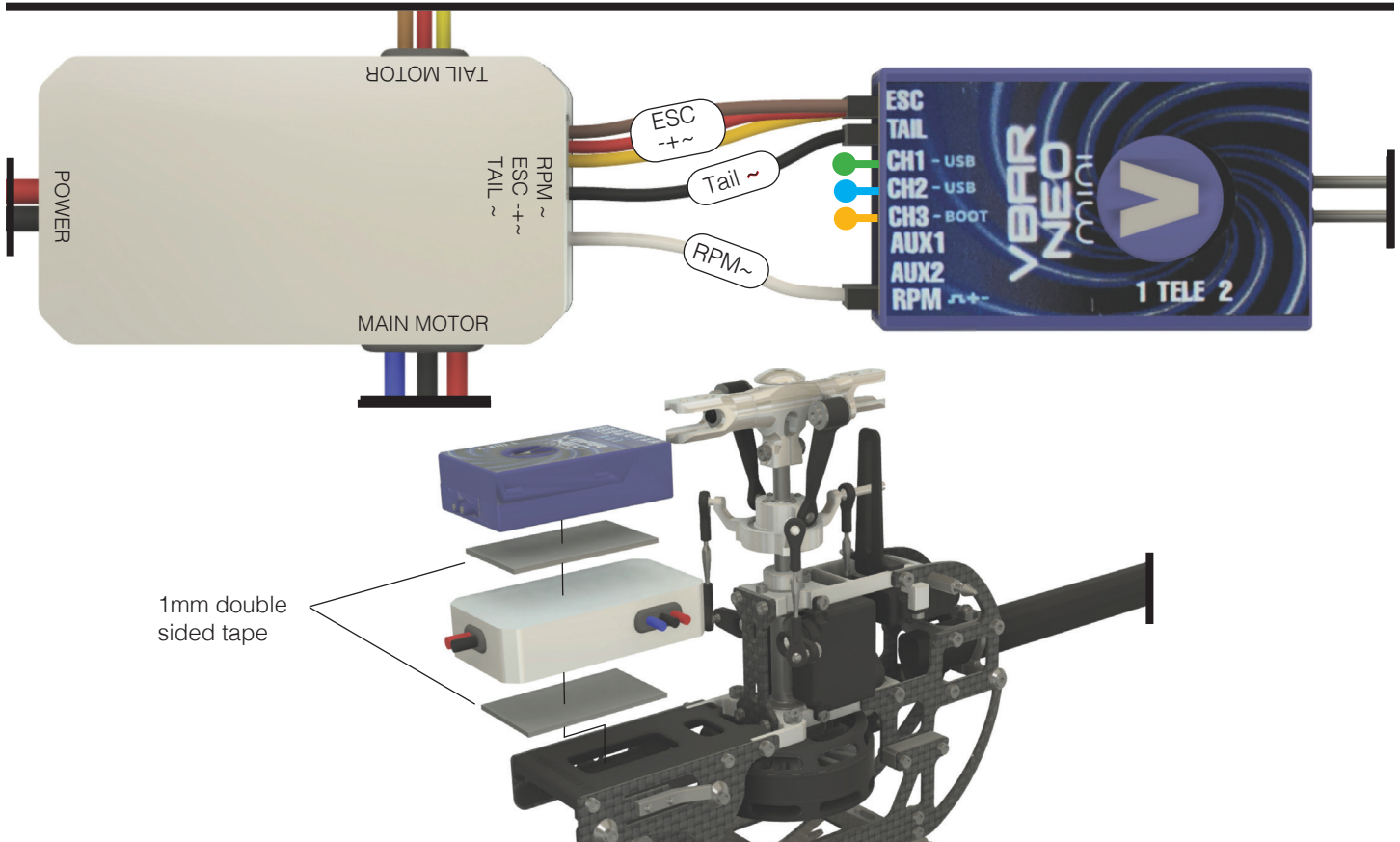
- |     |                                                                                   |              |
|-----|-----------------------------------------------------------------------------------|--------------|
| 6 x |  | M1.6x4       |
| 3 x |  | linkage ball |
| 3 x |  | M1.6 nut     |
| 3 x |  | M1.6 x 4     |



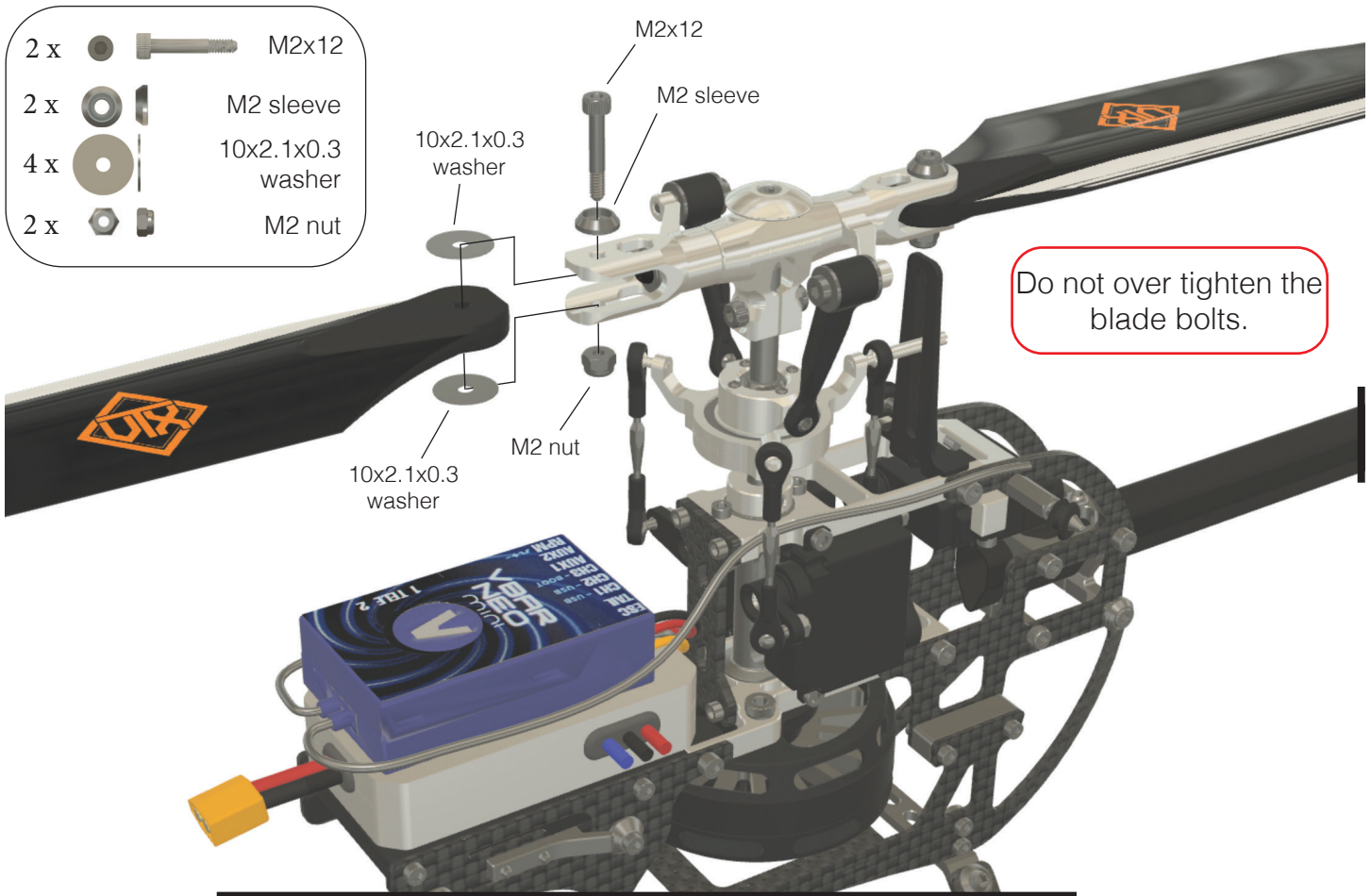
## 4.2 Servo Linkaging



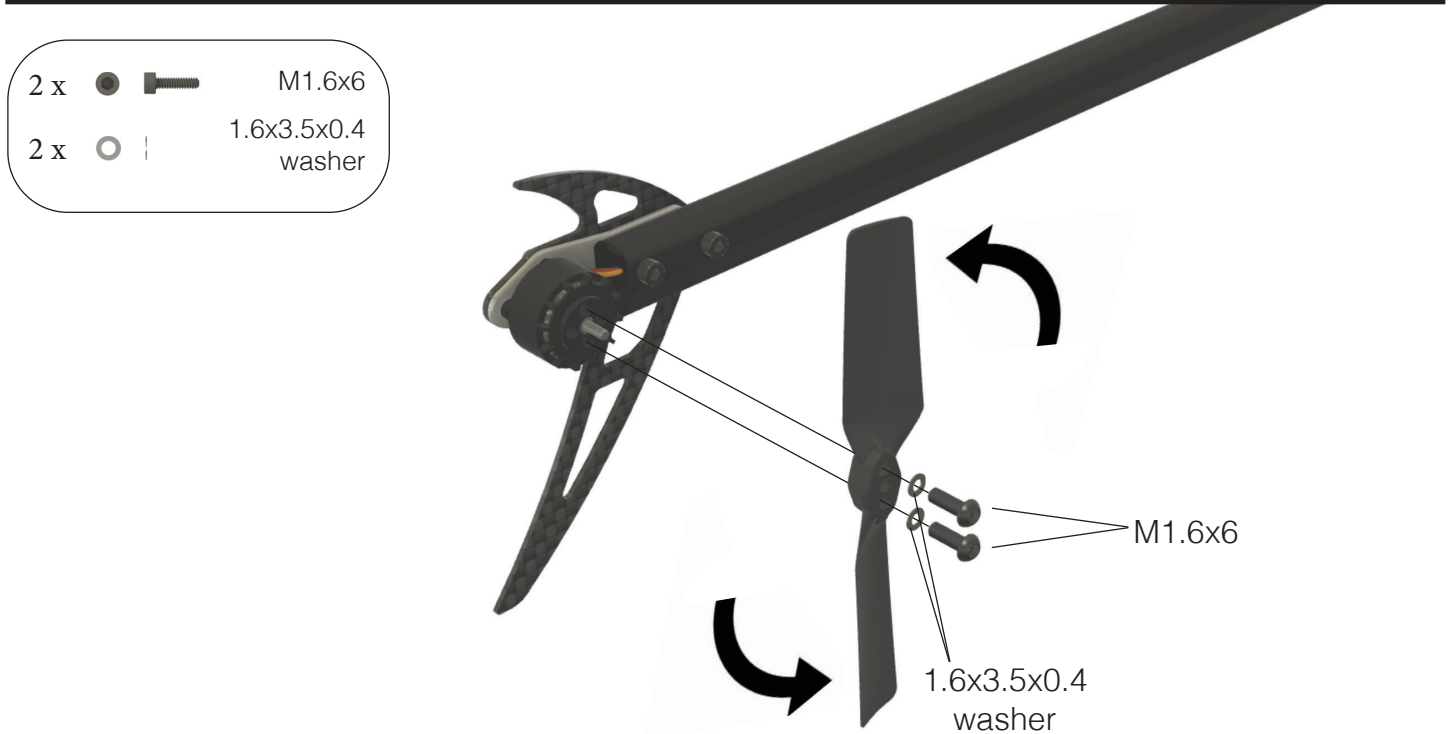
## 5 VBar Neo Mini - Wiring Diagram / Mounting



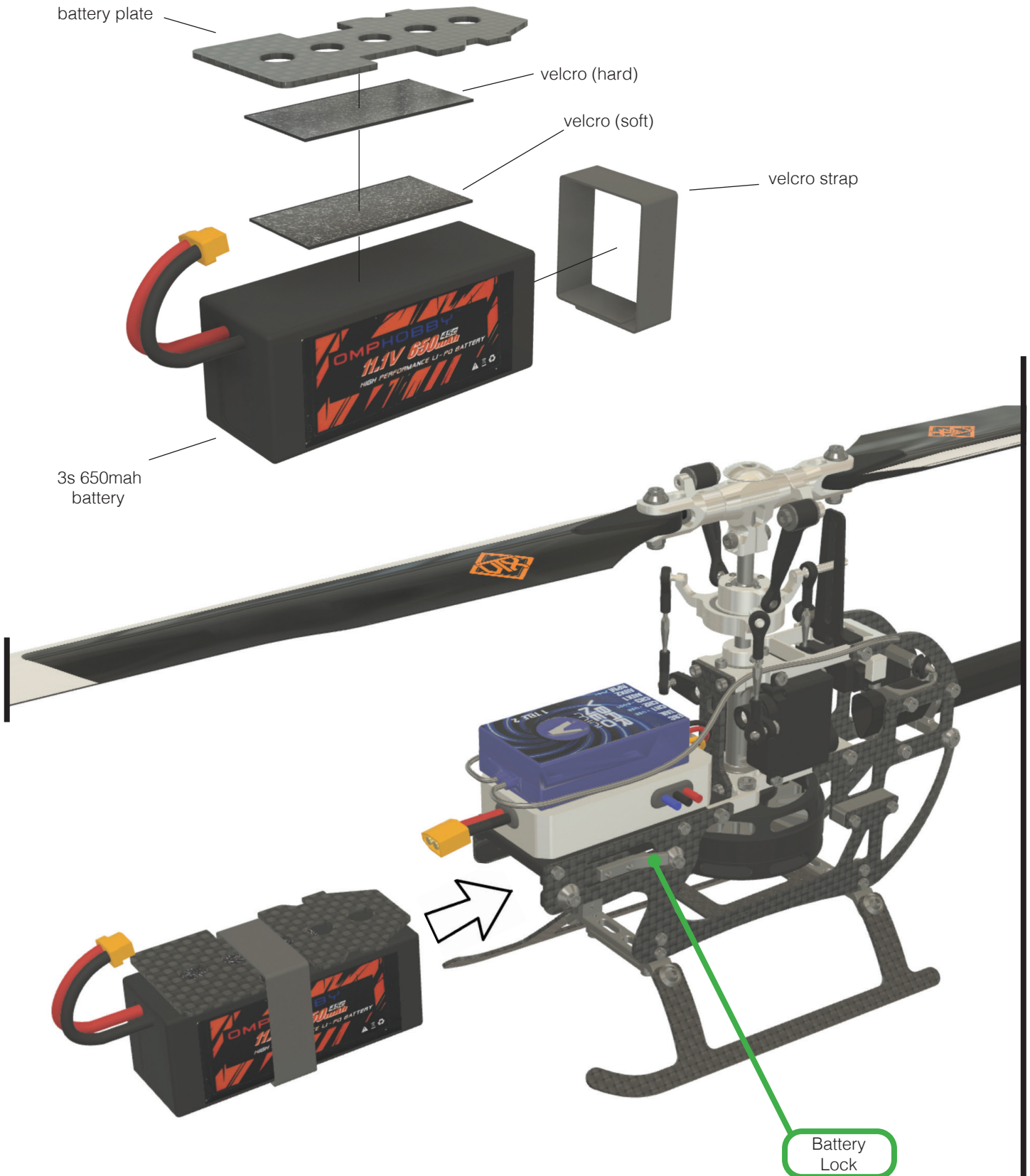
## 6.1 Main Blade Mounting



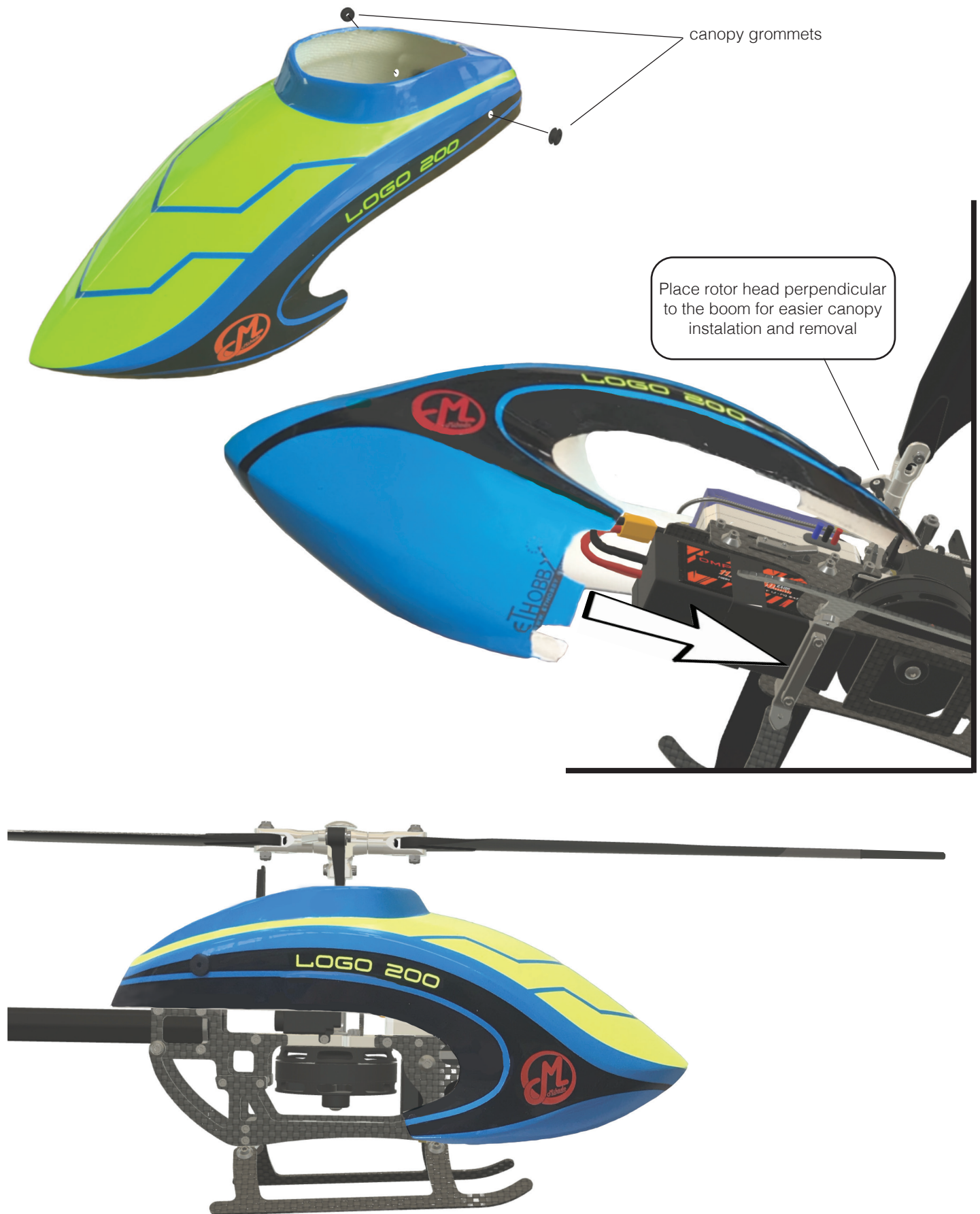
## 6.2 Tail Prop Mounting







## 7 Battery Mounting






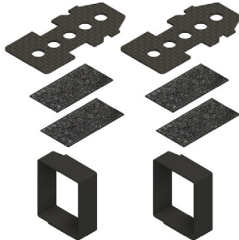
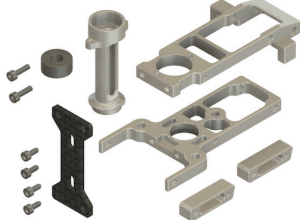

## 8 Canopy Mounting


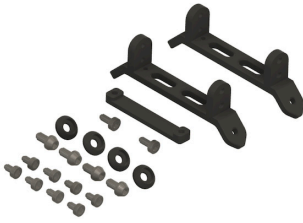
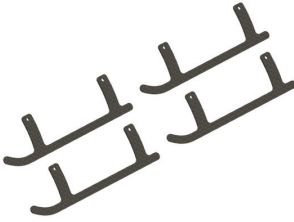
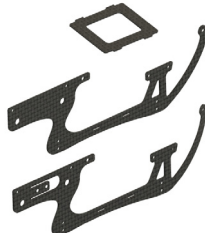


## 9 - Spare Parts Lists

|                                                                                   |                                                                                            |                                                                                     |                                                                                                 |
|-----------------------------------------------------------------------------------|--------------------------------------------------------------------------------------------|-------------------------------------------------------------------------------------|-------------------------------------------------------------------------------------------------|
|  |           |   |              |
| <p>Product name - Rotor Head Yoke, Logo 200</p> <p>Part Number - 05400</p>        | <p>Product name - Main Blade Holder with Bearings, Logo 200</p> <p>Part Number - 05401</p> | <p>Product name - Blade Bolts with Washers, Logo 200</p> <p>Part Number - 05402</p> | <p>Product name - Blade Grip Pitch Links with Bearings, Logo 200</p> <p>Part Number - 05403</p> |





|                                                                                       |                                                                                     |                                                                                    |                                                                                     |
|---------------------------------------------------------------------------------------|-------------------------------------------------------------------------------------|------------------------------------------------------------------------------------|-------------------------------------------------------------------------------------|
|      |    |  |  |
| <p>Product name - Shaft Kit (Main + Spindle), Logo 200</p> <p>Part Number - 05404</p> | <p>Product name - Rotor Head Refurbish Kit, Logo 200</p> <p>Part Number - 05405</p> | <p>Product name - VTX 177 Blades</p> <p>Part Number - 05406</p>                    | <p>Product name - Swashplate, Logo 200</p> <p>Part Number - 05407</p>               |

|                                                                                                     |                                                                                                          |                                                                                              |                                                                                             |
|-----------------------------------------------------------------------------------------------------|----------------------------------------------------------------------------------------------------------|----------------------------------------------------------------------------------------------|---------------------------------------------------------------------------------------------|
|                  |                       |          |        |
| <p>Product name - Complete Rotor Head Assembly with Blades, Logo 200</p> <p>Part Number - 05408</p> | <p>Product name - Battery Plate Set (with Velcro and Strap) x 2, Logo 200</p> <p>Part Number - 05409</p> | <p>Product name - Bearing Block Set + Frame Spacers, Logo 200</p> <p>Part Number - 05410</p> | <p>Product name - Canopy Holders + Canopy Grommets, Logo 200</p> <p>Part Number - 05411</p> |




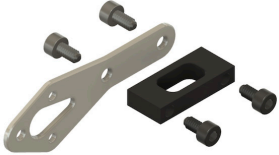
|                                                                                       |                                                                                                 |                                                                                      |                                                                                       |
|---------------------------------------------------------------------------------------|-------------------------------------------------------------------------------------------------|--------------------------------------------------------------------------------------|---------------------------------------------------------------------------------------|
|    |              |  |  |
| <p>Product name - Battery / ESC Mounting Set, Logo 200</p> <p>Part Number - 05412</p> | <p>Product name - Landing Gear Mounts + Canopy Support, Logo 200</p> <p>Part Number - 05413</p> | <p>Product name - Carbon Landing Gear x 4, Logo 200</p> <p>Part Number - 05414</p>   | <p>Product name - Lower Frame Set, Logo 200</p> <p>Part Number - 05415</p>            |

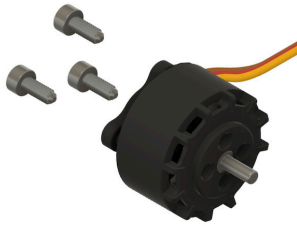

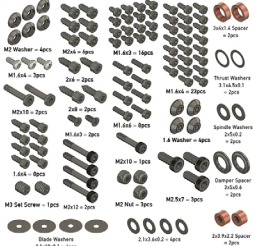



## 9 - Spare Parts Lists


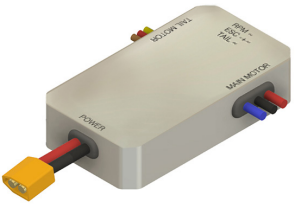
|                                                                                           |                                                                                   |                                                                                        |                                                                                     |
|-------------------------------------------------------------------------------------------|-----------------------------------------------------------------------------------|----------------------------------------------------------------------------------------|-------------------------------------------------------------------------------------|
|          |  |      |  |
| <p>Product name - Main Shaft Bearing (4x9x4) x 2, Logo 200</p> <p>Part Number - 05416</p> | <p>Product name - Motor + Shaft, Logo 200</p> <p>Part Number - 05417</p>          | <p>Product name - Servo Arm + Linkage Set x 3, Logo 200</p> <p>Part Number - 05418</p> | <p>Product name - Servo Set, Logo 200</p> <p>Part Number - 05419</p>                |

|                                                                                   |                                                                                   |                                                                                                  |                                                                                     |
|-----------------------------------------------------------------------------------|-----------------------------------------------------------------------------------|--------------------------------------------------------------------------------------------------|-------------------------------------------------------------------------------------|
|  |  |                |  |
| <p>Product name - Tail Boom Mount, Logo 200</p> <p>Part Number - 05420</p>        | <p>Product name - Upper Frame Set, Logo 200</p> <p>Part Number - 05421</p>        | <p>Product name - Anti Rotation Bracket Replacement Kit, Logo 200</p> <p>Part Number - 05422</p> | <p>Product name - Complete Frame Set, Logo 200</p> <p>Part Number - 05423</p>       |

|                                                                                     |                                                                                     |                                                                                      |                                                                                       |
|-------------------------------------------------------------------------------------|-------------------------------------------------------------------------------------|--------------------------------------------------------------------------------------|---------------------------------------------------------------------------------------|
|  |  |  |  |
| <p>Product name - Complete Tail Rotor Set, Logo 200</p> <p>Part Number - 05424</p>  | <p>Product name - Tail Boom x 2, Logo 200</p> <p>Part Number - 05425</p>            | <p>Product name - Tail Fin x 2, Logo 200</p> <p>Part Number - 05426</p>              | <p>Product name - Tail Motor Mounting Set, Logo 200</p> <p>Part Number - 05427</p>    |

|                                                                                     |                                                                                     |                                                                                      |                                                                                       |
|-------------------------------------------------------------------------------------|-------------------------------------------------------------------------------------|--------------------------------------------------------------------------------------|---------------------------------------------------------------------------------------|
|  |  |  |  |
| <p>Product name - Tail Motor, Logo 200</p> <p>Part Number - 05428</p>               | <p>Product name - Tail Prop x 2, Logo 200</p> <p>Part Number - 05429</p>            | <p>Product name - Complete Hardware Set, Logo 200</p> <p>Part Number - 05433</p>     | <p>Product name - Blue/ Yellow Canopy, Logo 200</p> <p>Part Number - 05432</p>        |

## 9 - Spare Parts Lists

|                                                                                               |                                                                                   |                                            |                                            |
|-----------------------------------------------------------------------------------------------|-----------------------------------------------------------------------------------|--------------------------------------------|--------------------------------------------|
|              |  |                                            |                                            |
| <p>Product name - 3s 650mah 45C Battery (22x25x58mm), Logo 200</p> <p>Part Number - 05430</p> | <p>Product name - Dual ESC Controller, Logo 200</p> <p>Part Number - 05431</p>    | <p>Product name -</p> <p>Part Number -</p> | <p>Product name -</p> <p>Part Number -</p> |

|                                            |                                            |                                            |                                            |
|--------------------------------------------|--------------------------------------------|--------------------------------------------|--------------------------------------------|
|                                            |                                            |                                            |                                            |
| <p>Product name -</p> <p>Part Number -</p> | <p>Product name -</p> <p>Part Number -</p> | <p>Product name -</p> <p>Part Number -</p> | <p>Product name -</p> <p>Part Number -</p> |

|                                            |                                            |                                            |                                            |
|--------------------------------------------|--------------------------------------------|--------------------------------------------|--------------------------------------------|
|                                            |                                            |                                            |                                            |
| <p>Product name -</p> <p>Part Number -</p> | <p>Product name -</p> <p>Part Number -</p> | <p>Product name -</p> <p>Part Number -</p> | <p>Product name -</p> <p>Part Number -</p> |

|                                            |                                            |                                            |                                            |
|--------------------------------------------|--------------------------------------------|--------------------------------------------|--------------------------------------------|
|                                            |                                            |                                            |                                            |
| <p>Product name -</p> <p>Part Number -</p> | <p>Product name -</p> <p>Part Number -</p> | <p>Product name -</p> <p>Part Number -</p> | <p>Product name -</p> <p>Part Number -</p> |